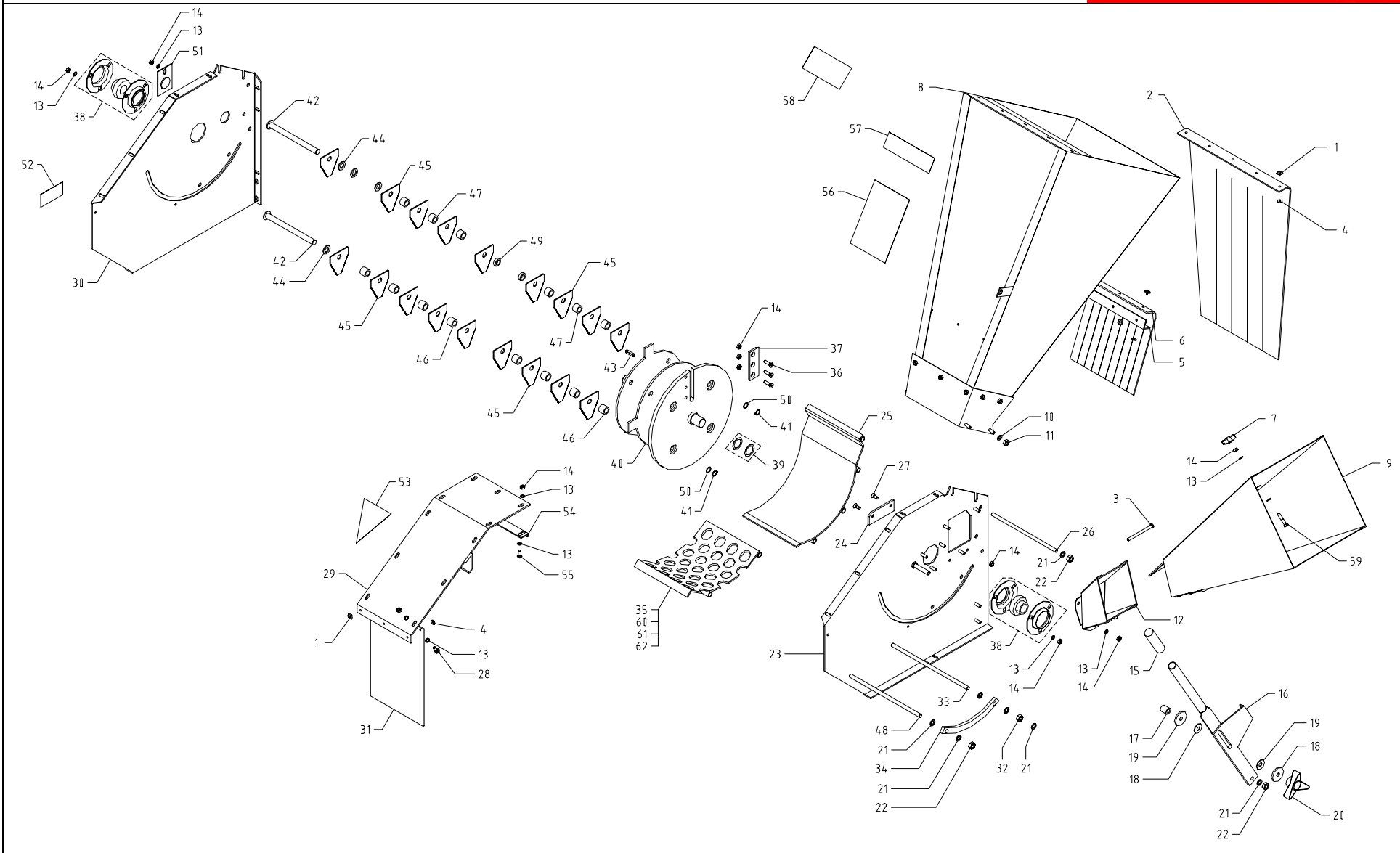


BIO 150



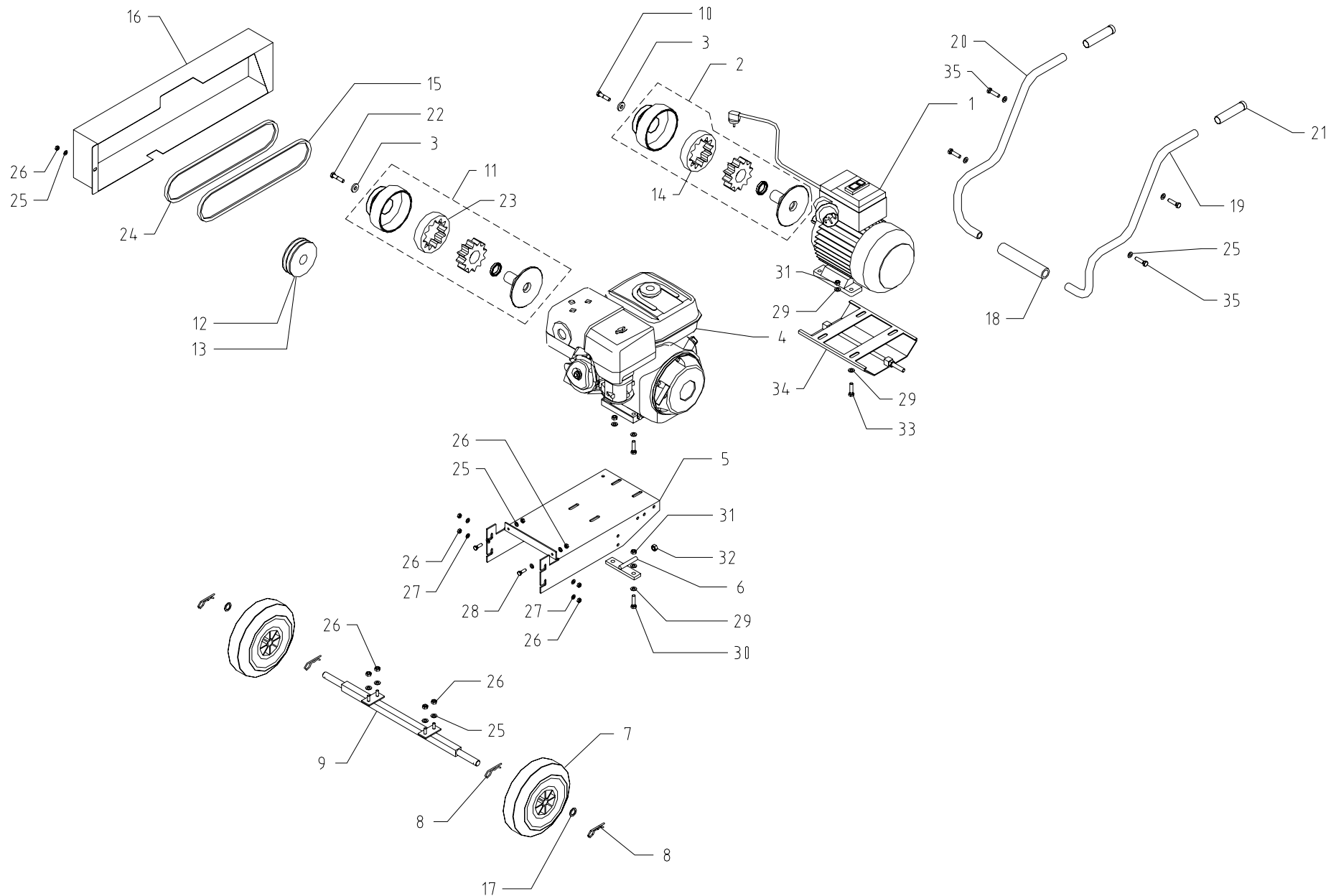
BIO 150



Pos.	Description	Q.ty	Code
1	Rivet ø 4,9x16 Al	12	530002000
2	Upper rubber	1	010302000
3	Pin	1	010610000
4	Washer ø5x15x2	8	510003005
5	Angle	1	010310000
6	Lower rubber	1	010410000
7	Knob M8 F	1	013710000
8	Upper hopper	1	010304100
9	Chaff cutter hopper	1	011810000
10	Washer ø11x22x2	4	530001800
11	Self-lock nut M10	4	520007010
12	Chaff cutter support	1	011601000
13	Washer ø9x18x2	31	510005009
14	Self-lock nut M8	43	520002008
15	Knob ø25	2	012310000
16	Sieve lever	1	013410000
17	Lever spacer	1	013411000
18	Washer	2	511000100
19	Belleville washer	2	511100100
20	Knob M12	1	012311000
21	Washer ø12x24x2	19	511100120
22	Self-lock nut M12	11	520003012
23	Chaff cutter side panel	1	012510000
24	Counterblade	1	013100001
25	Bottom	1	012000001
26	Bottom pin	4	012100000
27	Screw TSPEI M8x20	2	500011008
28	Screw TE M8x20	19	500008008
29	Discharge casing	1	012210001
30	Left side panel	1	010140001
31	Discharge rubber	1	012910001
32	Nut M12	1	520000001
33	Sieve pin L	1	012110001
34	Sieve guides	2	012710001
35	Sieve ø40 STD	1	012810003
36	Screw TSPEI M8x30	3	500012008
37	Blade	1	013300000
38	Bearing SBPF 206	2	550002030

Pos.	Description	Q.ty	Code
39	Thickness element PS ø30x1	X	012720001
40	Rotor	1	010101050
41	Seeger ring E-15	4	510012001
42	Rotor pin	4	010102000
43	Key 8x25	1	530004000
44	Washer ø16x3	10	511120020
45	Blade TR 3	36	010105001
46	Spacer H=21	12	010105000
47	Spacer H=18	16	010108001
48	Sieve pin C	1	012110021
49	Spacer H=7	4	010108021
50	Thickness element PS ø16x1	4	080009016
51	Galvanized cover plate	1	011300000
52	Decal	1	000000041
53	Decal	1	000000004
54	Discharge casing angle	1	012210002
55	Screw TBEI M8x20	3	500000820
56	Decal	1	000000002
57	Decal	1	000000035
58	Decal	1	000000005
59	Screw TE M8x40	1	500006208
60	Sieve ø30	1	012810001
61	Sieve ø35	1	012810002
62	Sieve ø50	1	012810004

BIO 150 B / E

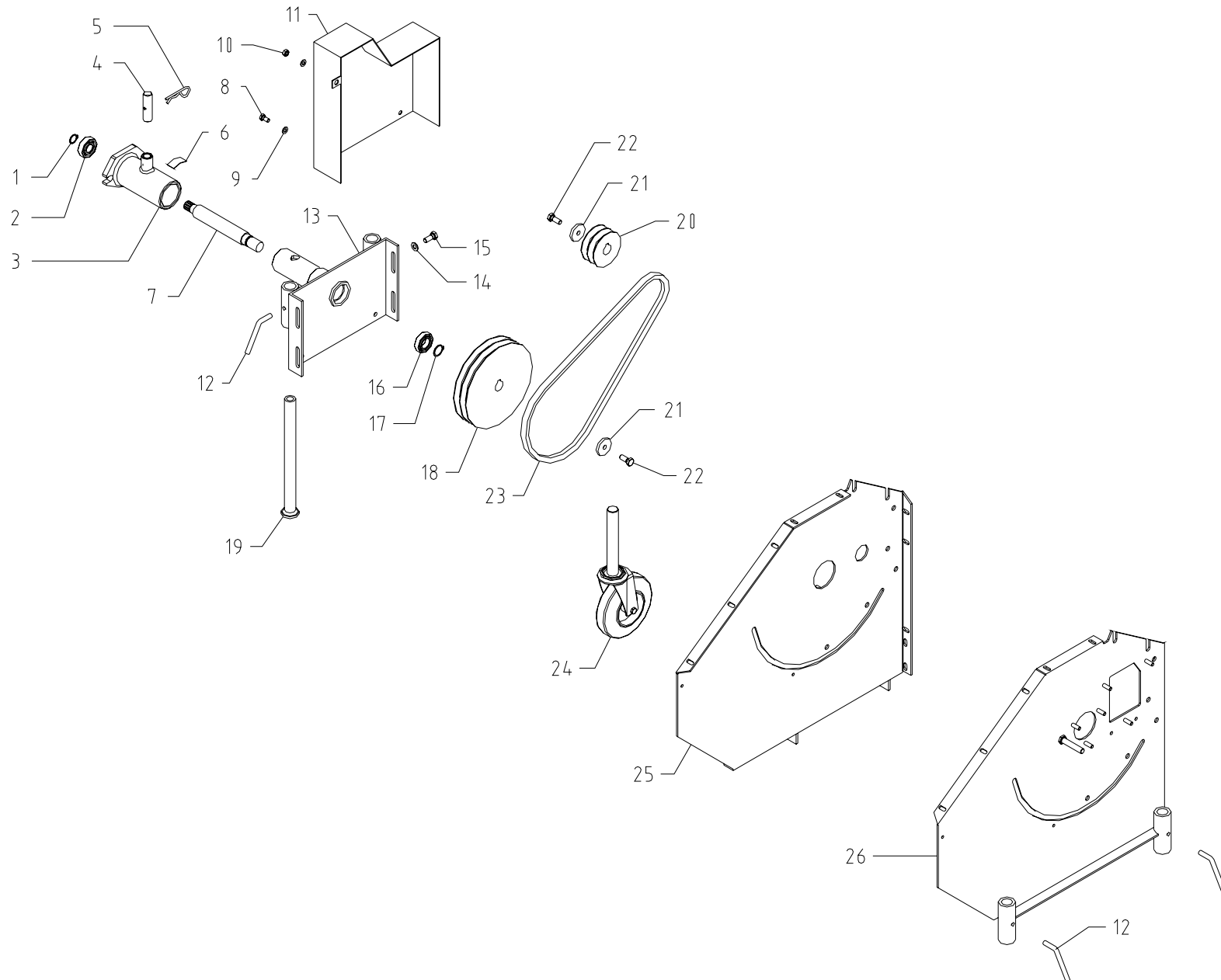


BIO 150 B / E



Pos.	Description	Q.ty	Code
1	Electric motor 5,5 HP	1	019200000
2	Centrifugal clutch 1A 122 (E)	1	013800028
3	Retainer washer	1	014900006
4	Engine 13 HP	1	014100001
5	Engine support	1	014500001
6	Engine adjustment plate	1	014500005
7	Wheel	2	014700000
8	Cotter pin R 5	4	530001000
9	Wheel axle	1	014600000
10	Screw TE M 10x30 (E)	1	500010010
11	Centrifugal clutch 2A 138 (B)	1	019300002
12	Pulley 1A 100 (E)	1	019600001
13	Pulley 2A 118 (B)	1	014800001
14	Bumper rubber ϕ 122	1	019400000
15	Belt A-58	2	014900001
16	Belt guard casing	1	044400001
17	Washer ϕ 20	2	510002520
18	Anti-vibration tube	1	013900001
19	Handle SX	1	014300252
20	Handle DX	1	014300253
21	Knob ϕ 25	2	020903000
22	Screw 7/16" UNF (B)	1	507160134
23	Bumper rubber ϕ 138	1	019400002
24	Belt A-50 (E)	1	620030042
25	Washer ϕ 9x18	11	510005009
26	Self lock nut M8	11	520002008
27	Washer ϕ 9x27	5	510005509
28	Screw TE M8x20	3	500008008
29	Washer ϕ 11x22	8	530001800
30	Screw TE M10x60	2	500001060
31	Self-lock nut M10	4	520007010
32	Self-lock nut M12	1	520000001
33	Screw TE M10x40	4	500009410
34	Saddle	1	014300001
35	Screw TE M8x70	4	500070008

BIO 150 MTC

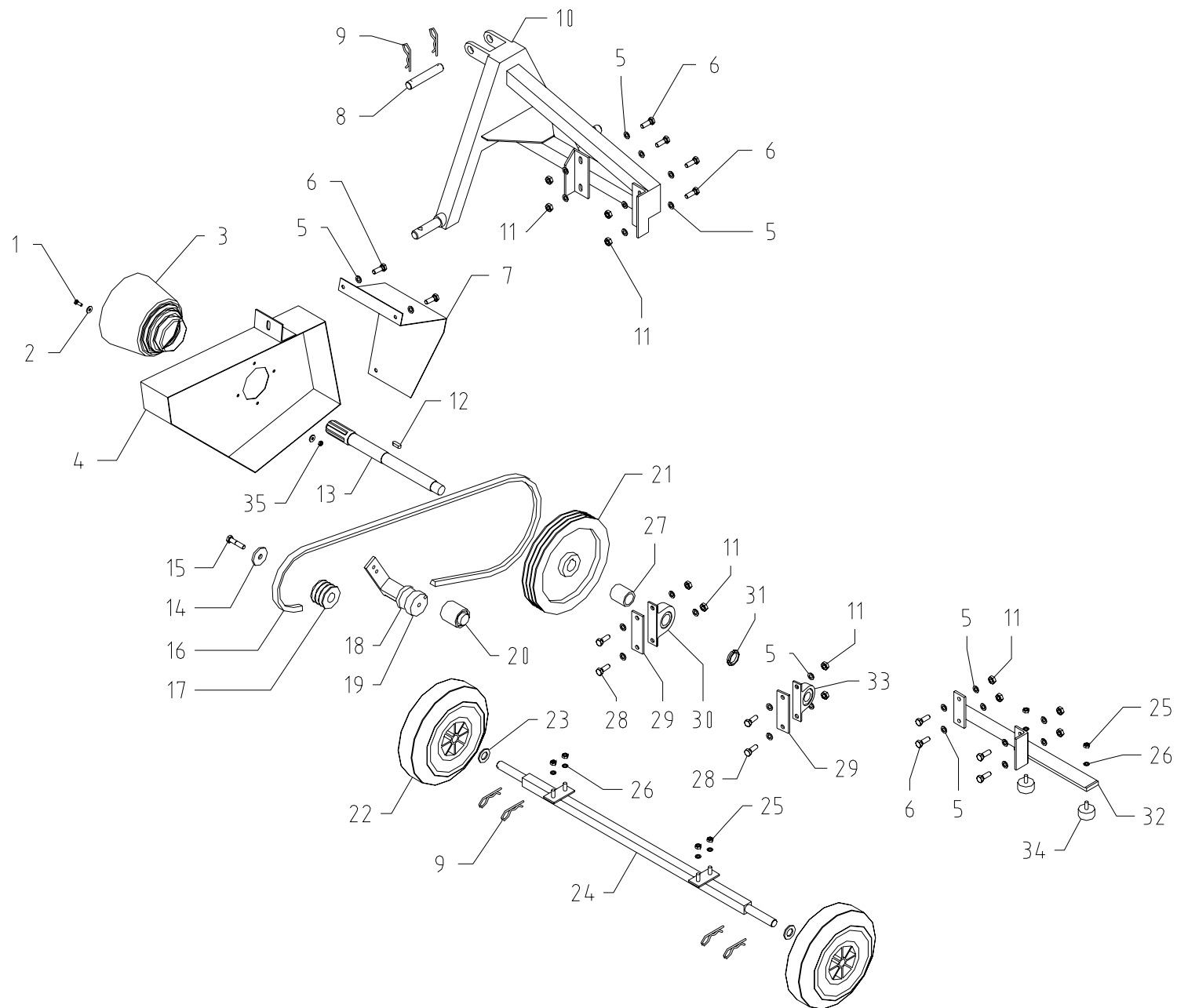


BIO 150 MTC



Pos.	Description	Q.ty	Code
1	Seeger ring E-20	1	510009000
2	Ball bearing 6204 2 RS	1	540001000
3	Support AR	1	010201000
4	Gudgeon pin	1	010202000
5	Cotter pin R 2,5	1	530003000
6	Decal	1	010920000
7	Shaft	1	010203000
8	Screw TE M8x20	2	500008008
9	Washer ø9x18	2	510005009
10	Self-lock nut M8	1	520002008
11	Belt cover casing	1	014300264
12	Lock pin	4	011000000
13	Connector plate	1	010204000
14	Washer ø11x22	4	530001800
15	Screw TE M10x25	4	500009010
16	Ball bearing 6205 2 RS	1	540002000
17	Seeger ring E-25	1	510011000
18	Pulley 2A 200	1	014300263
19	Foot	2	011100000
20	Pulley 2A 80	1	011200000
21	Retainer washer	2	013500010
22	Screw TSPEI M10x35	2	500001036
23	Belt A-34	2	014900010
24	Wheel	2	012600000
25	Left side panel MTC	1	010141001
26	Right side panel MTC	1	012511000

BIO 150 T

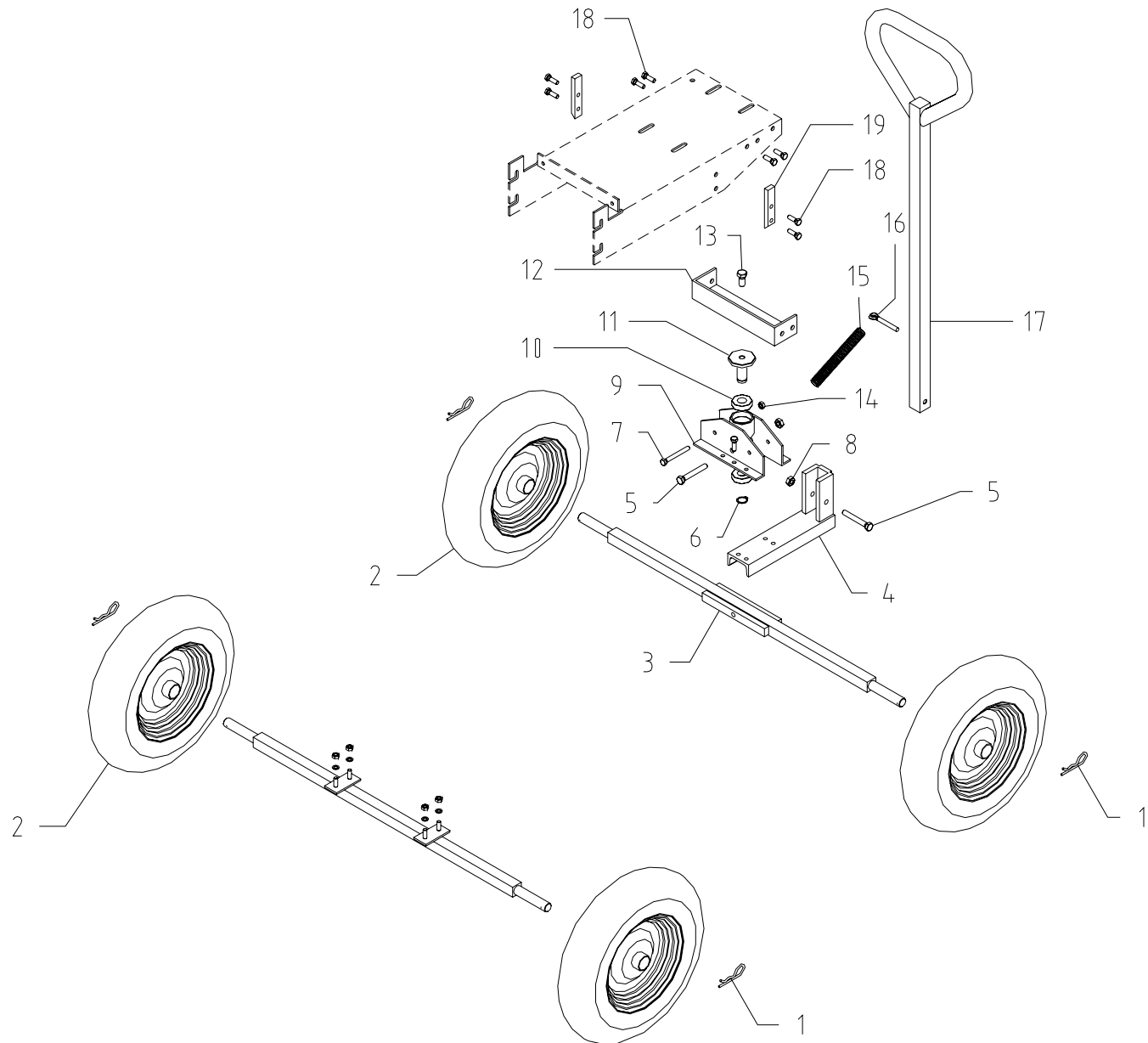


BIO 150 T



Pos.	Description	Q.ty	Code
1	Screw TE M6x16	2	520004506
2	Washer ø6x18	4	510000835
3	Protective hood P.T.O.	1	520008003
4	Belt cover casing	1	014300254
5	Washer ø11x22	26	530001800
6	Screw TE M10x30	10	500010010
7	Protective metal sheet	1	014300256
8	Gudgeon pin	1	010202001
9	Cotter pin R5	6	530001000
10	Chassis third point	1	014300262
11	Self-lock nut M10	12	520007010
12	Key	1	014300260
13	Shaft P.T.O.	1	520008002
14	Retainer washer	1	013500010
15	Screw TSPEI M10x35	1	500001036
16	Belt SPA 1180	3	520007011
17	Pulley 3A 60	1	014300255
18	Idler support	1	014310257
19	Spacer SP 20 mm	1	014320257
20	Idler ø50	1	014330257
21	Pulley 3A 250	1	014300257
22	Wheel	2	014700000
23	Washer ø20	2	510002520
24	Wheel axle	1	014600000
25	Self-lock nut M8	8	520002008
26	Washer ø9x18	9	510005009
27	Spacer	1	014300259
28	Screw TE M10x50	4	520002510
29	Plate sp 5 mm	2	520003010
30	Bearing SBPP 206	1	540005000
31	Metal ring M 30	1	530008030
32	Support foot	1	025200001
33	Bearing SBPP 205	1	540004000
34	Rubber feet	2	013900000
35	Self-lock nut M6	2	520003506

BIO 150 4R



BIO 150 4R



Pos.	Description	Q.ty	Code
1	Cotter pin R5	4	530001000
2	Wheel 3.50-8	4	014700001
3	Axle	1	014300270
4	Drawbar support	1	014300269
5	Screw TE M10x70	2	500070010
6	Seeger ring E-20	1	510009000
7	Screw TE M8x70	2	500070008
8	Self-lock nut M10	2	520007010
9	Swivelled bracket	1	014300271
10	Ball bearing 6004 Z	2	014300274
11	Pin	1	014300265
12	Fixed bracket	1	014300272
13	Screw TE M12x25	1	500025012
14	Self-lock nut M8	2	520002008
15	Spring	1	014300268
16	Tie rod M8	1	014300267
17	Drawbar	1	014300266
18	Screw TE M8x25	8	500025008
19	Retainer	2	014300273